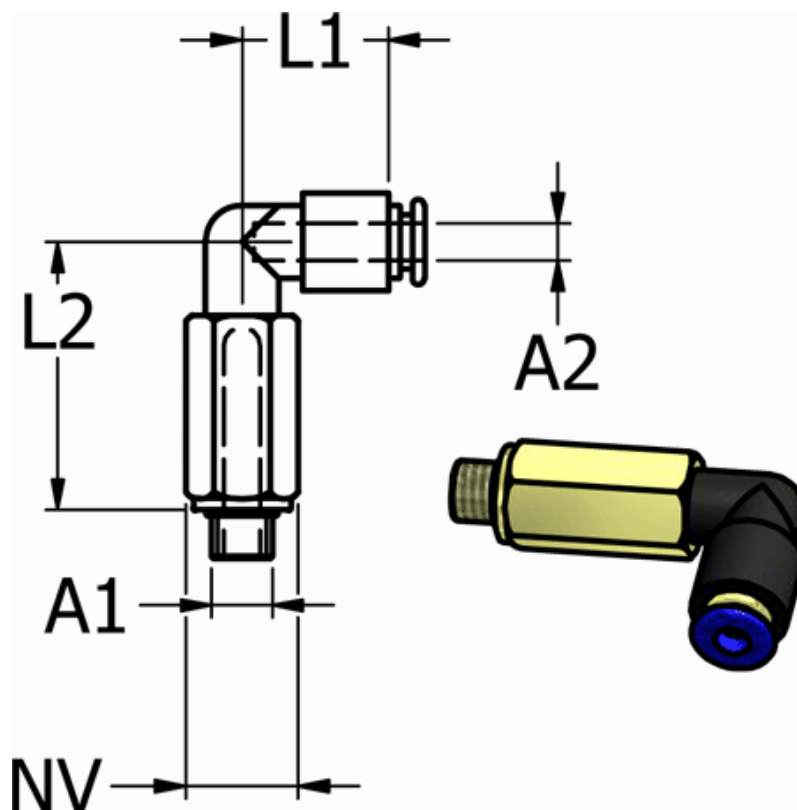


Article number: 586PLL33

Description: Mini Push-in PLL33, angle, M3 hose Ø3

Measures



Ext. hose diameter A2 = 3 mm

L1 = 24

L2 = 16

NV = 8

Thread A1 = M3